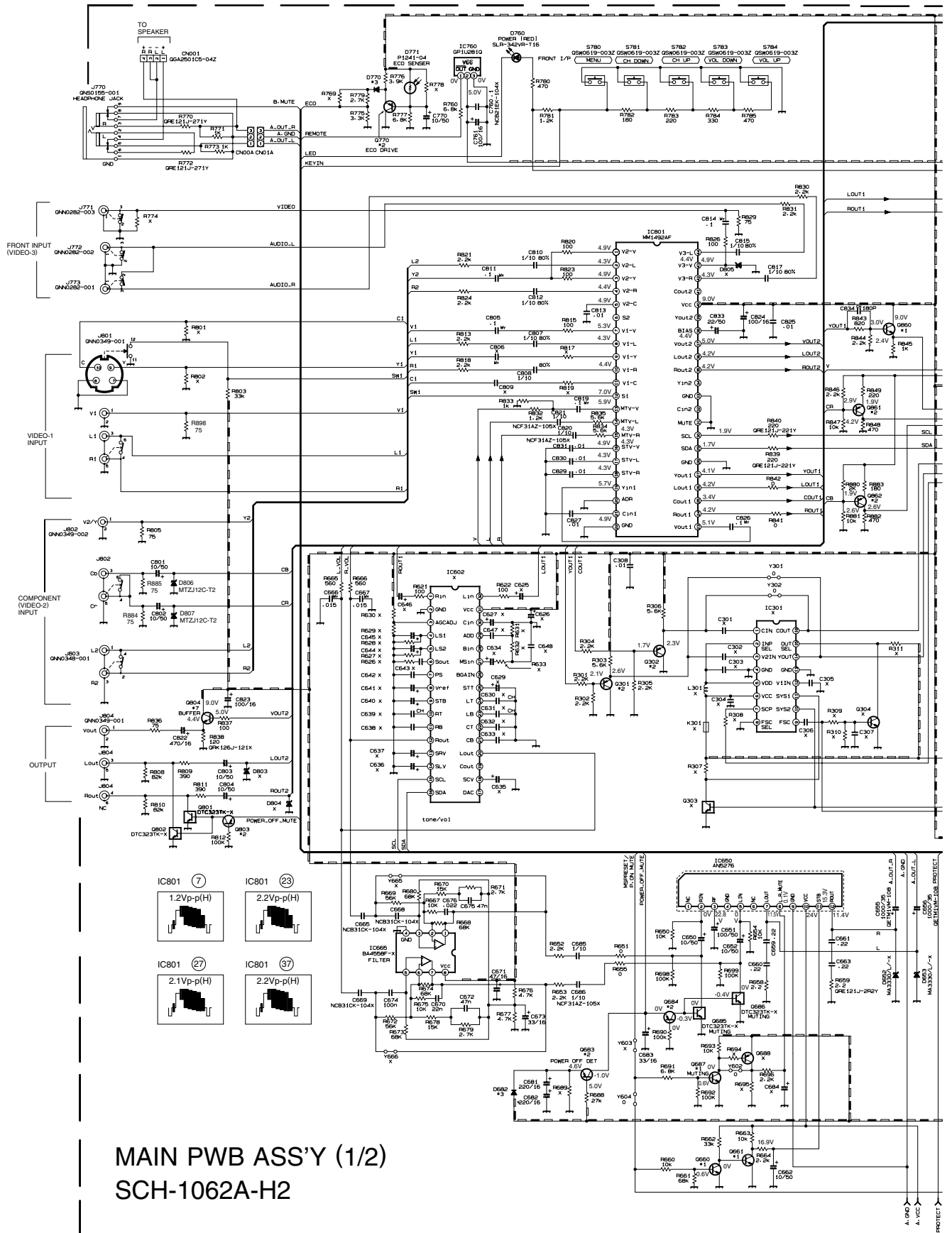
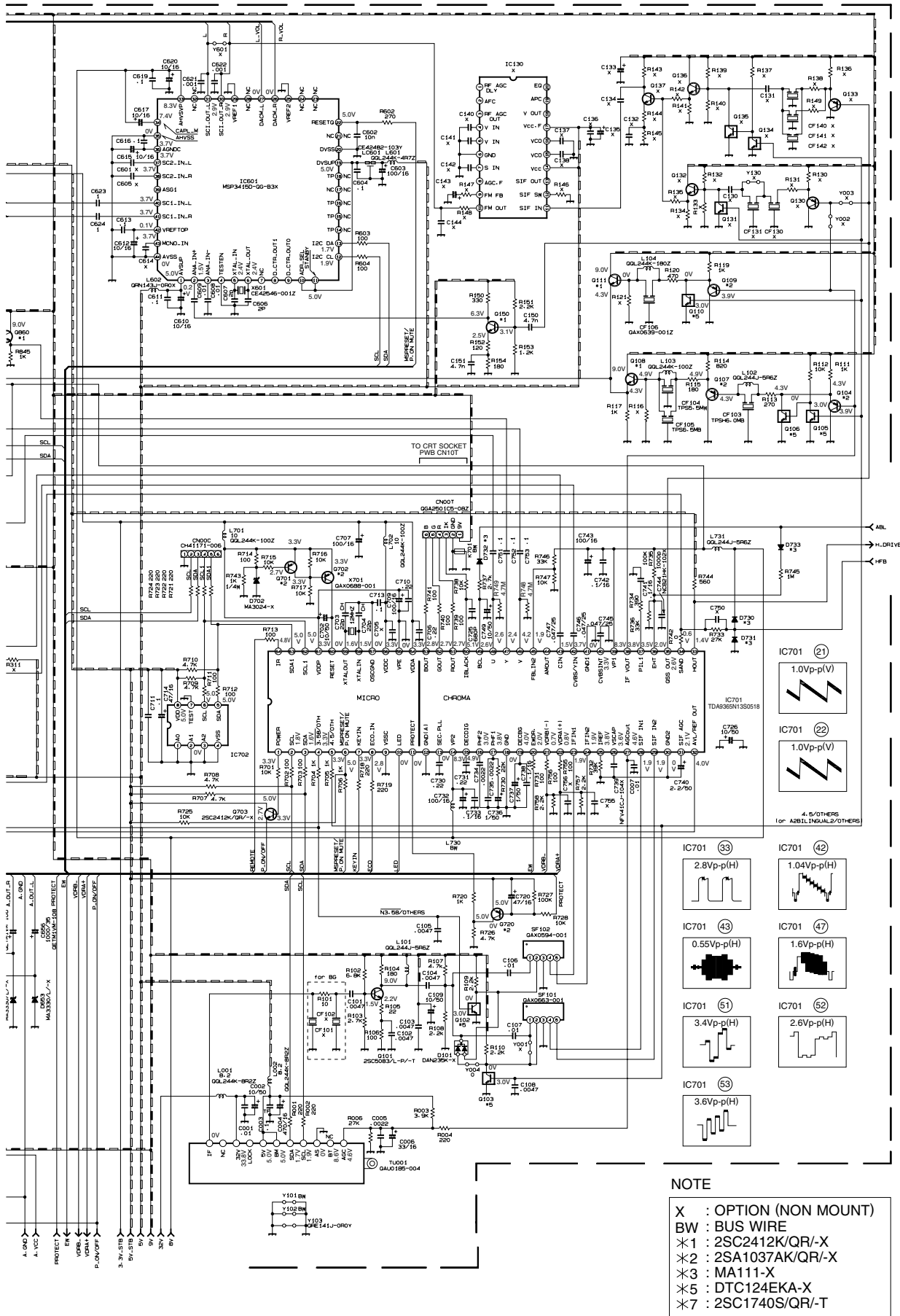


# CIRCUIT DIAGRAMS

## MAIN PWB CIRCUIT DIAGRAM (1/2) [AV-21LS/C]

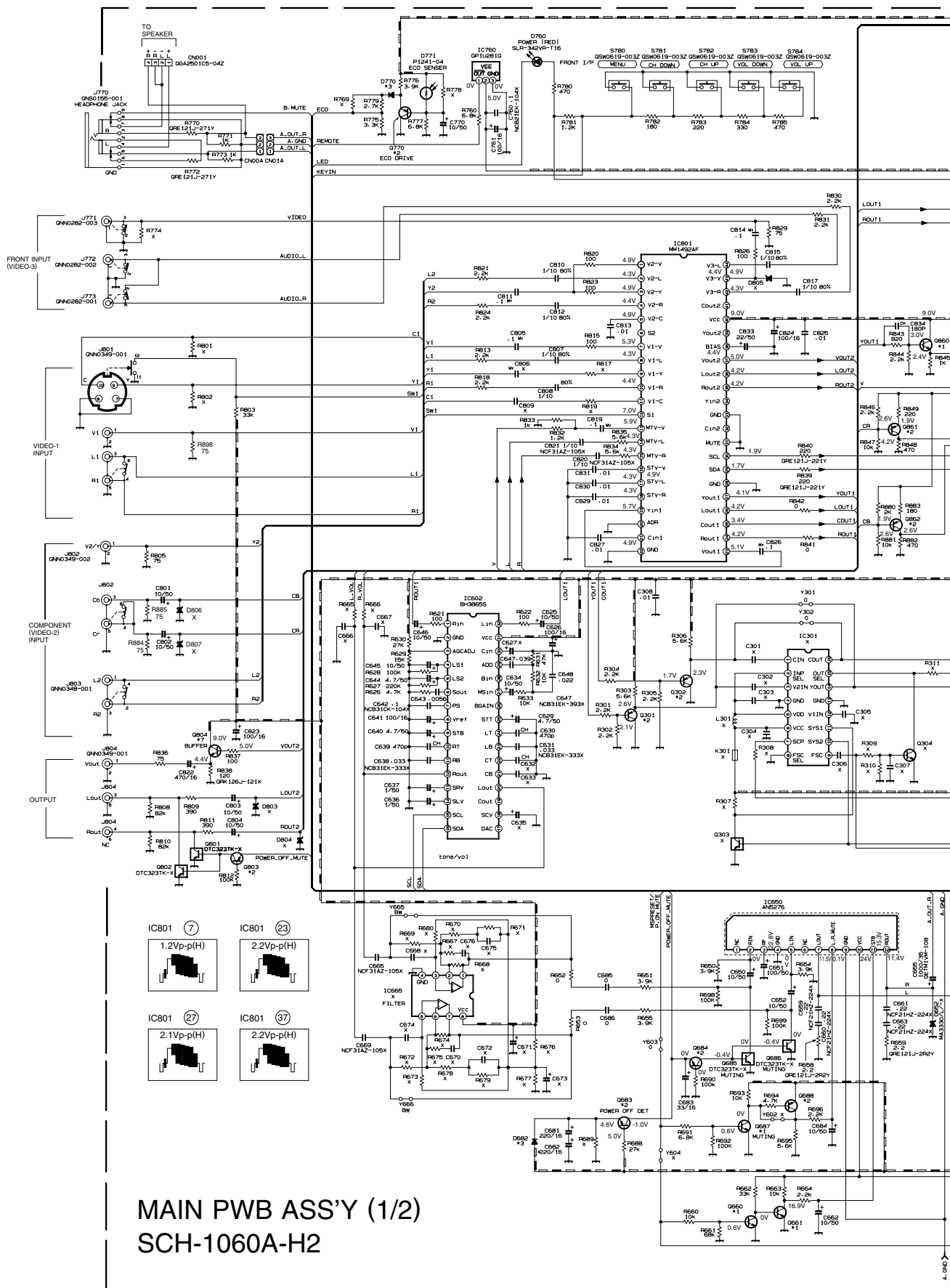




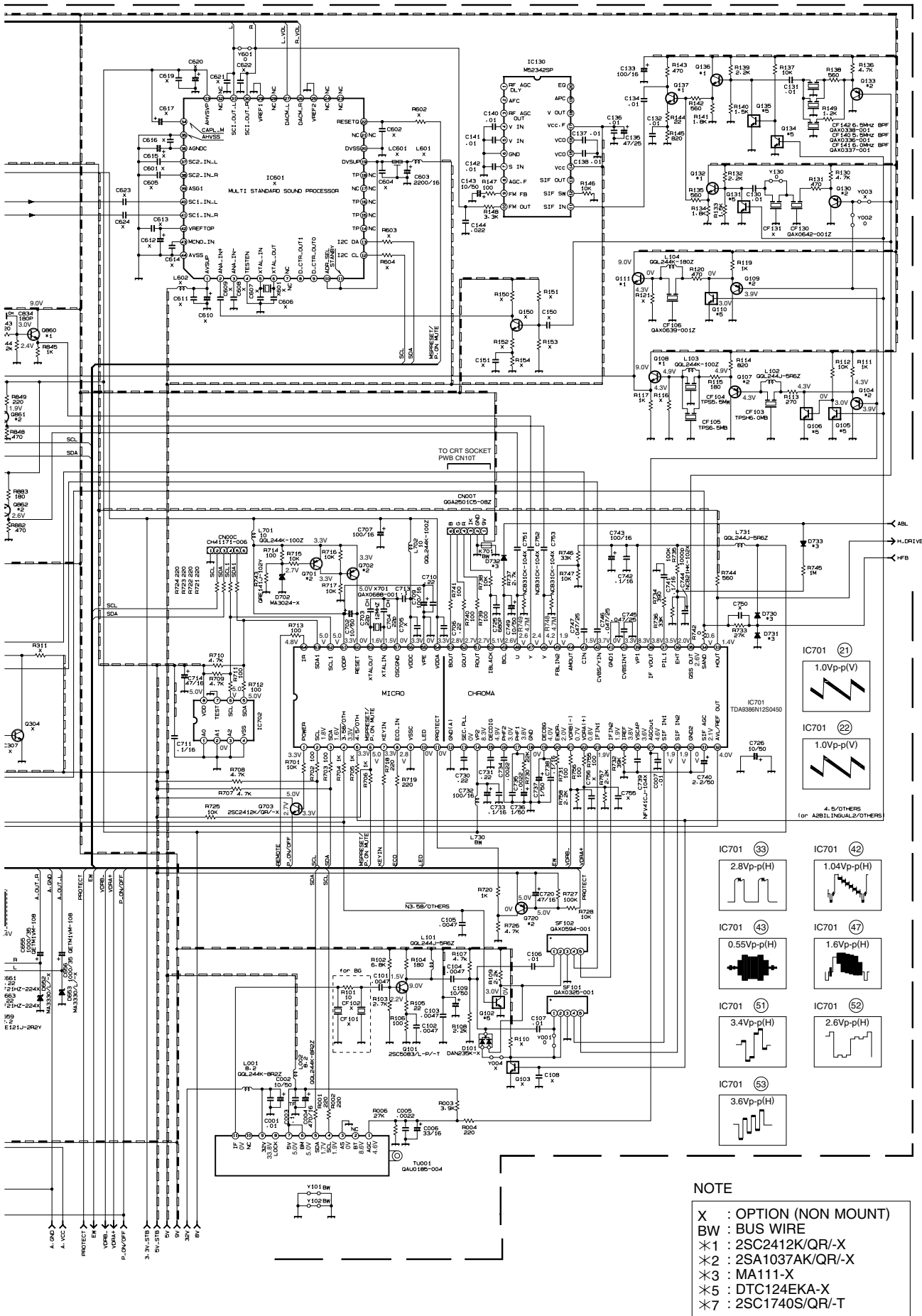
**NOTE**

X : OPTION (NON MOUNT)  
 BW : BUS WIRE  
 \*1 : 2SC2412K/QR-X  
 \*2 : 2SA1037AK/QR-X  
 \*3 : MA111-X  
 \*5 : DTC124EKA-X  
 \*7 : 2SC1740S/QR-T

MAIN PWB CIRCUIT DIAGRAM (1/2) [AV-21LX/C]

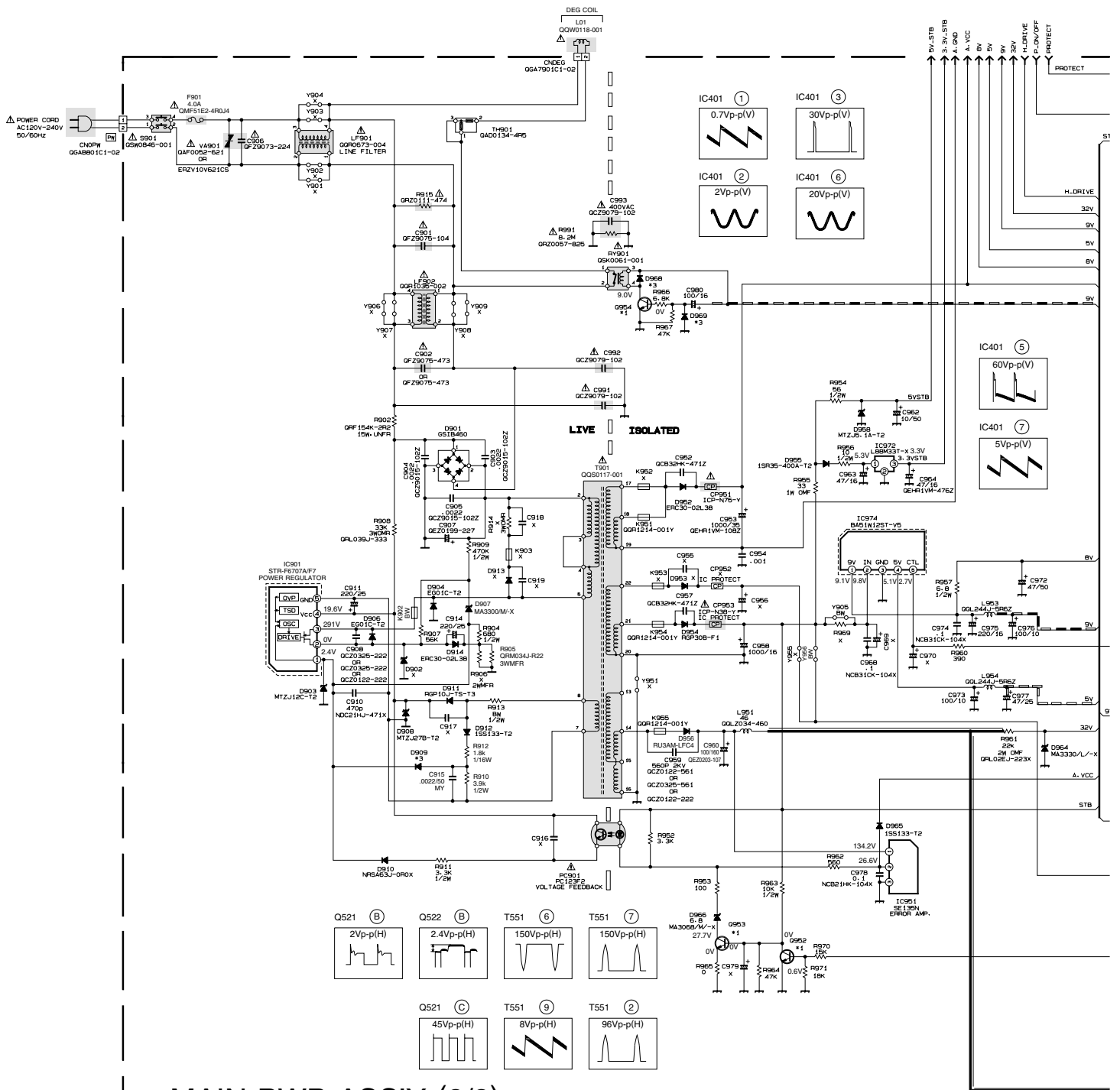


MAIN PWB ASS'Y (1/2)  
SCH-1060A-H2



No.51849B

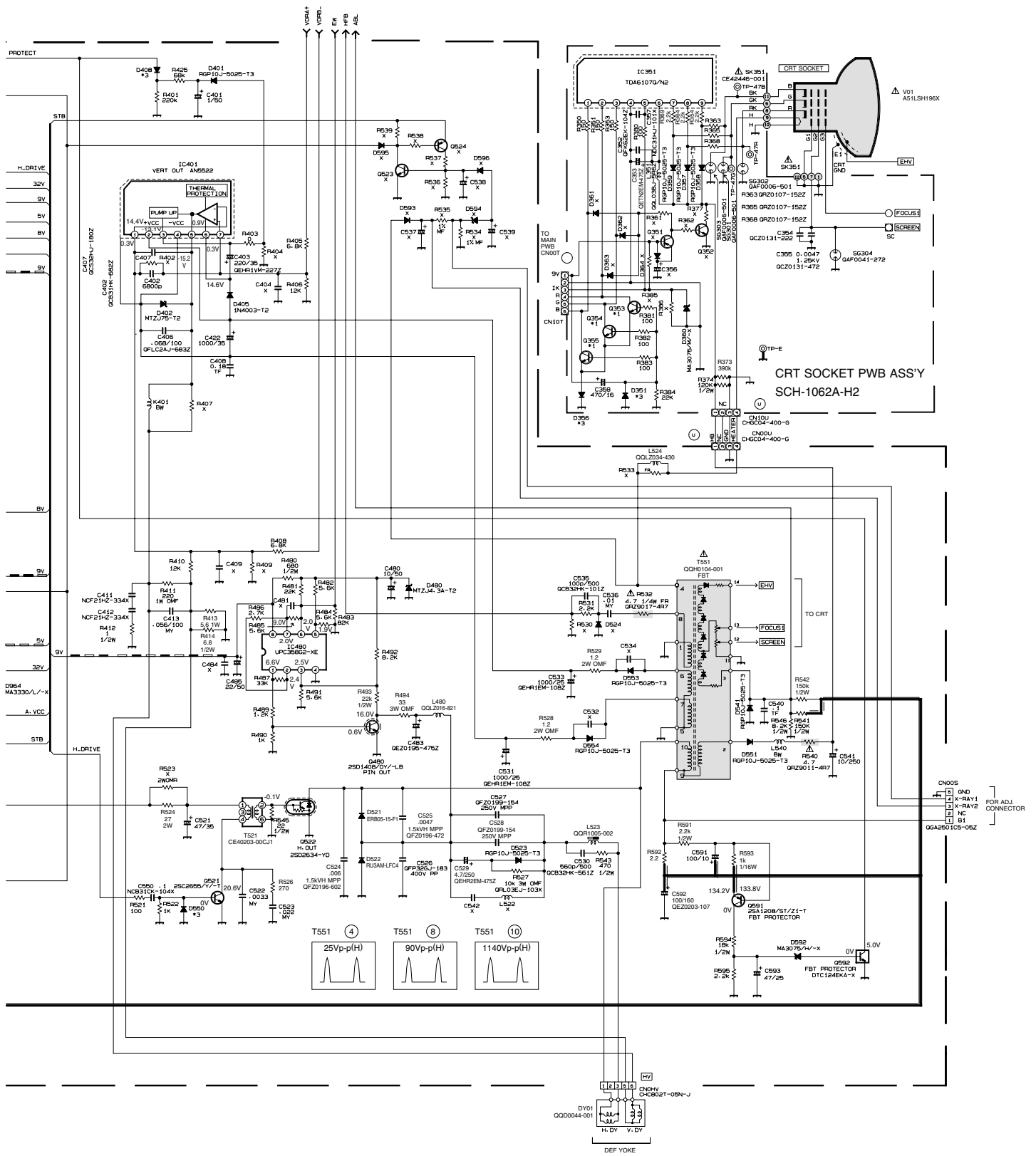
MAIN (2/2) AND CRT SOCKET PWB CIRCUIT DIAGRAMS [AV-21LS/C]



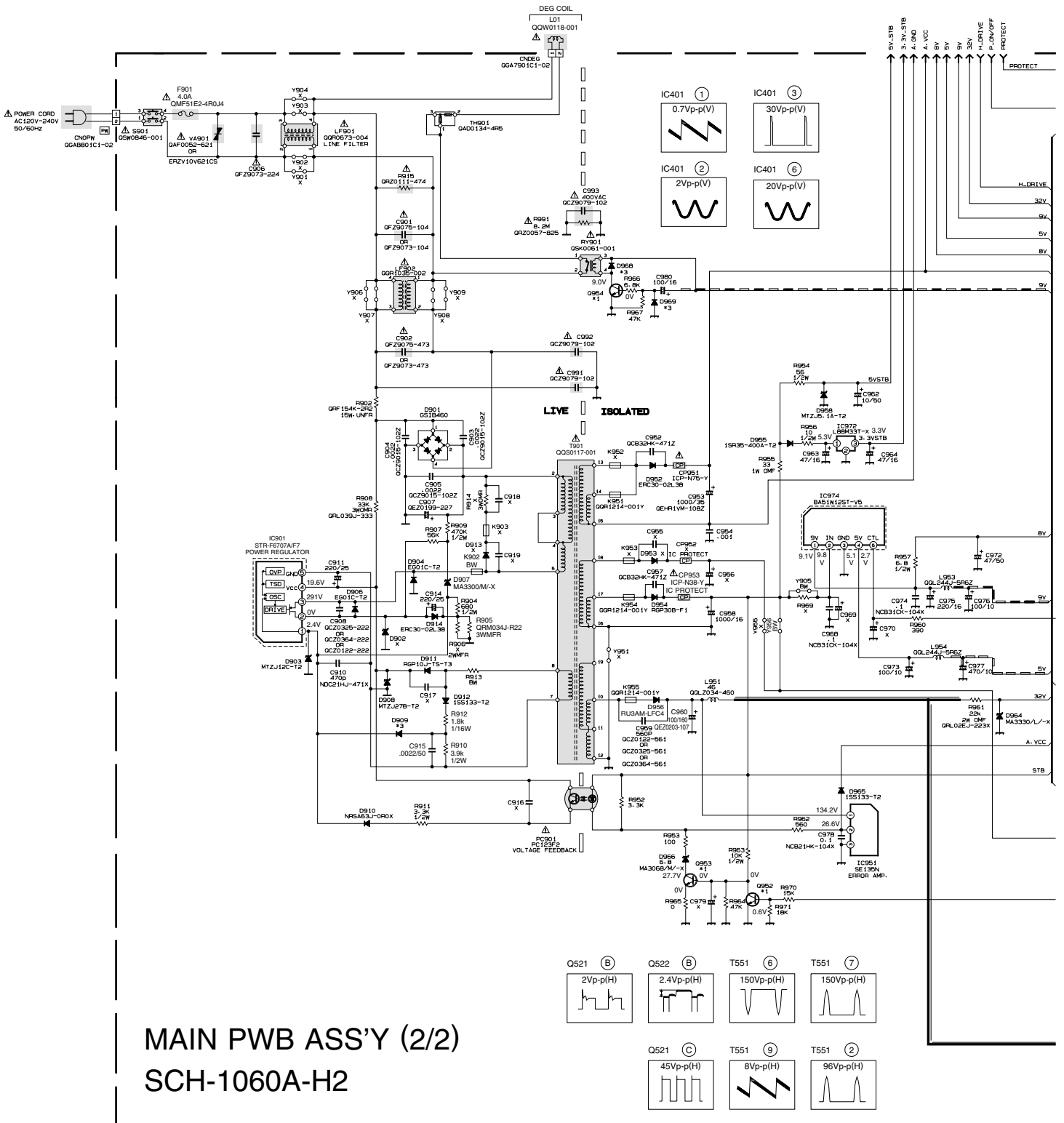
MAIN PWB ASS'Y (2/2)  
SCH-1062A-H2

NOTE

- X : OPTION (NON MOUNT)
- BW : BUS WIRE
- \*1 : 2SC2412K/QR-X
- \*2 : 2SA1037AK/QR-X
- \*3 : MA111-X



MAIN (2/2) AND CRT SOCKET PWB CIRCUIT DIAGRAMS [AV-21LX/C]



NOTE

- X : OPTION (NON MOUNT)
- BW : BUS WIRE
- \*1 : 2SC2412K/QR/-X
- \*2 : 2SA1037AK/QR/-X
- \*3 : MA111-X

